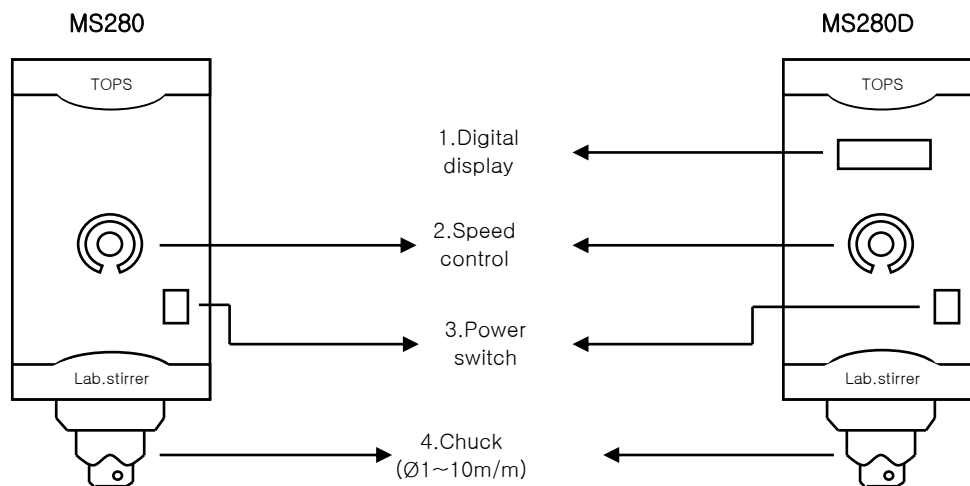


2. Functional Description

MODEL	Electronic overhead stirrer	
	MS280	MS280D
Stirring capacity (H ₂ O)	10ℓ	
Viscosity (Max.)	7,000mpas (low)	
Motor (out put)	DC motor 60W	
Torque (Max.)	2kg · cm (19.6Ncm)	
Speed range	200 ~ 3,000rpm	
Speed controller	Feed-back control	
Speed display	Scale	Digital
Chuck range	Ø1 ~ 10mm	
Dimensions (WxDxH)	78 x 180 x 170	
Weight	3.2kg	
Electrical supply	AC220V 50/60Hz	

3. Technical Specifications



1. Speed display : Speed is indicated on LED Display. (Digital Type)
(But, the flicked number on display with turning Volume No. 2 indicates the set RPM.)
2. rpm control volume : Motor rpm control.
3. Main power S/W : Power ON/OFF switch.

4. Operation

- 1) Adjust the volume at "0" and insert a main power cord to AC220V 50/60Hz.
- 2) Turn ON main power S/W(3).
- 3) Set the required speed using speed control volume(2).
- 4) Turn OFF main power S/W.
- 5) Keep clearly taking out main power cord in case that instrument is not used for a long time.

Note:

- 1) Speed can be changed by the volume.
- 2) Turn the volume till the end counterclockwise, then rotation will be stopped.
- 3) Turn the volume to set the speed, then it arrives at the set rpm in a short time and keeps a constant speed by arithmetic logic unit.
(Smooth start function)